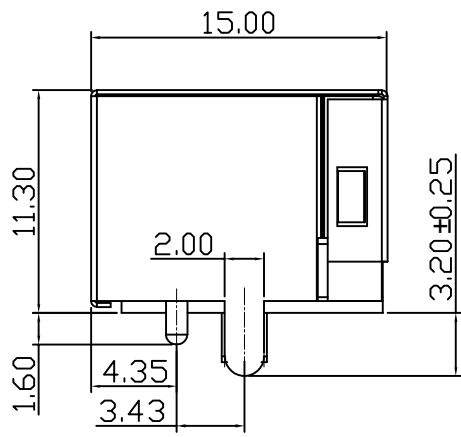
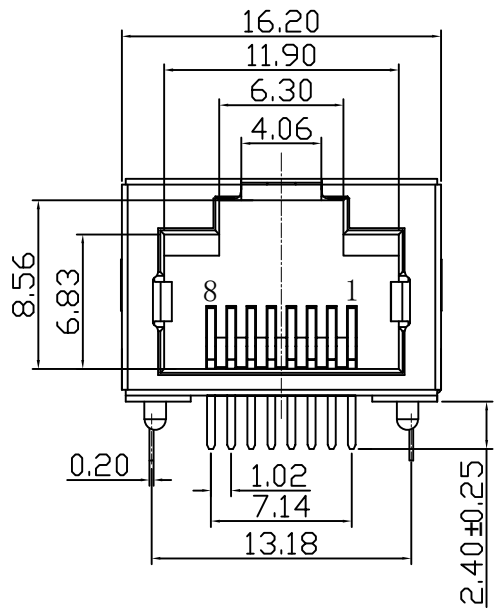
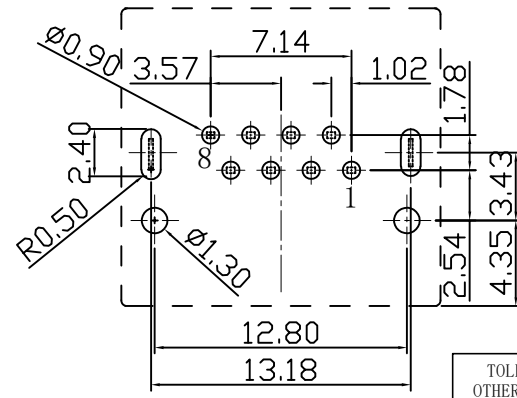
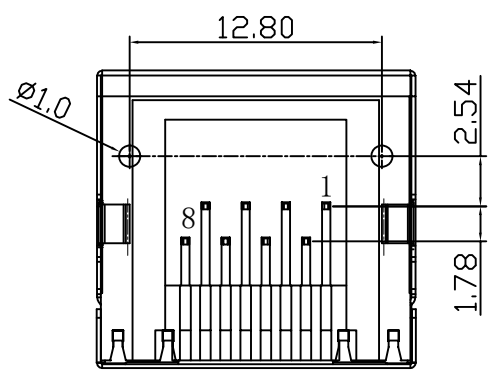


REV.	ECN NO.	MODIFY MATTER	DATE	APPROVED
A		RELEASE TO PRODUCTION		



NOTES:

1. MATERIAL:
 - 1.1 HOUSING: LCP,UL94V-0; COLOR:BLACK.
 - 1.2 SHELL : COPPER ALLOY,T=0.2mm
 - 1.3 CONTACT: COPPER ALLOY,T=0.3mm
2. FINISH:
 - 2.1 CONTACT:
 - GOLD PLATED ON CONTACT AREA.
 - 80u"MIN. TIN PLATED ON SOLDER TAIL AREA.
 - 30u"MIN. NICKEL UNDERPLATING OVERALL.
 - 2.2 SHELL:
 - 20u"MIN. NICKEL PLATING OVERALL.
3. RECOMMENDED PCB THICKNESS : x.xxmm
RoHS Compliant



RECOMMENDED PCB LAYOUT
TOLERANCE:±0.05

EAST-56H-318830214101-NBJ

- CONTACTS (金针根数): _____
- 1-1. 2. 3. 6 PIN; 8-8CONTACTS (8C)
- LED STYLE (LED 颜色类型): _____
- 1-L LED: GREEN, R LED: YELLOW (左绿右黄)
- 2-L LED: YELLOW, R LED: GREEN (左黄右绿)
- 3-L 无LED灯
- EMI (弹片): _____
- 1-W/O EMI (无弹片)
- PLASTIC (塑料): _____
- 1-PBT;
- 3-NYLON46 (尼龙46);
- 4-LCP
- COLOR (颜色): _____
- 1-BLACK (黑色)
- GOLD PLATING (镀金厚度): _____
- 1-FU"; 2-1.5U"; 3-3U"; 4-6U";
- 5-15U"; 6-30U"; 7-50U"

TOLERANCES UNLESS OTHERWISE SPECIFIED: X. --- X.X ± 0.38 X.XX ± 0.25 X.XXX ± 0.10 Angle ± 1°		CUSTOMER COPY 深圳市东方御业科技有限公司 WWW.DFYCONN.COM TEL:0755-27155560	
DRAWN: CHENLEI	2017/09/10	TOTAL: RJ45 90° 超薄NBJ型	
CHECKED: CHENLEI	2017/09/10	PART NO: EAST-56H-318830214101-NBJ	
APPROVED: QINKAIXING	2017/09/10	UNIT: mm	SCALE: N/A
THESE DRAWING AND SPECIFICATION ARE THE PROPERTY OF Shenzhen Dongfangyuye ELECTRONIC CO., LTD. SHALL NOT BE REPRODUCED.		SHEET: 1:1	REV.