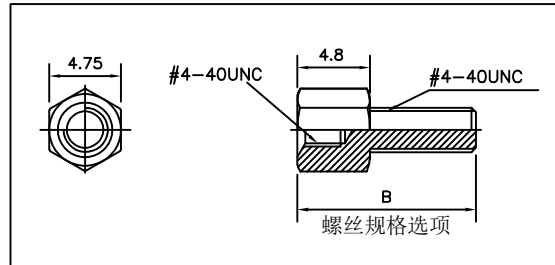
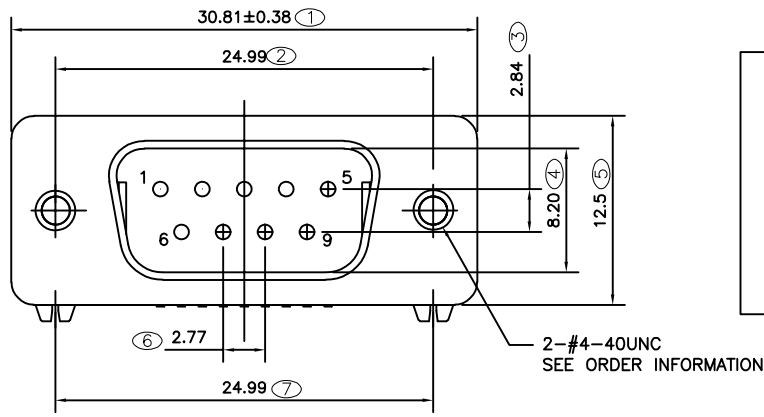
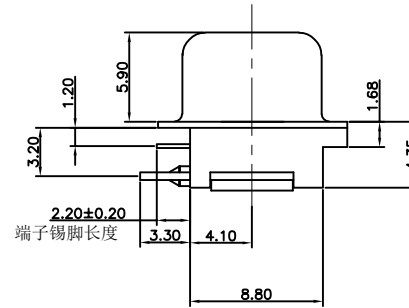
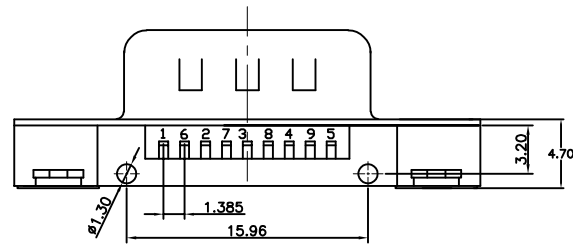


REV.	ECN NO.	MODIFY MATTER	DATE	APPROVED
A		RELEASE TO PRODUCTION		



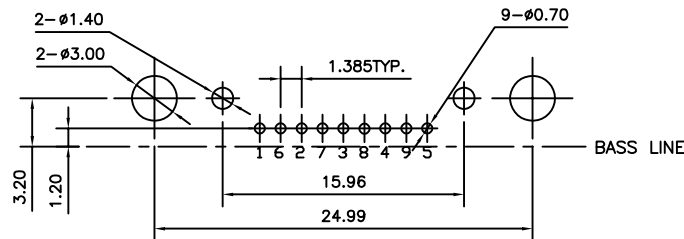
- MATERIAL & PLATING:
 - INSULATOR: SEE TABLE, UL94V-0
INSULATOR COLOR: SEE TABLE.
 - CONTACT: COPPER ALLOY, T: 0.25mm, GOLD FLASH PLATED IN CONTACT AREA, 60u" MIN MATTE TIN PLATED IN SOLDER AREA, 30u" MIN. NICKEL UNDERPLATED OVERALL.
 - SHELL: SPCC, T:0.35mm, NICKEL PLATED OVERALL.
 - BOARD LOCK: SPCC, T:0.5mm, TIN PLATED.
 - RIVET: COPPER ALLOY, NICKEL PLATED OVERALL.
 - SCREW: STEEL, NICKEL PLATED OVERALL.
- SPECIFICATION:
 - CURRENT RATING: 2.0 Amps.
 - CONTACT RESISTANCE: 30mΩ MAX.
 - INSULATION RESISTANCE: 1000MΩ Min./DC 500V.
 - DIELECTRIC WITHSTANDING VOLTAGE: AC500V PER MINUTE.
- NOTES:
 - ALL COMPONENTS ARE RoHS COMPLIANT.
 - RESISTANCE TO SOLDERING HEAT: 260°C FOR 5 SECONDS, AND ONLY FOR WAVE SOLDERING PROCESS.



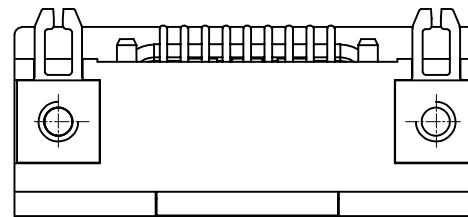
EAST-SLIM090030-005

- 螺丝: _____
- 颜色: _____
- 0: 锁螺丝 4.8*9.6
 - 1: 无螺丝
 - 2: 附螺丝 4.8*11.8
 - 3: 附螺丝 5.8*12.8
 - 4: 锁螺丝 5.8*12.8
 - 5: 锁螺丝 4.8*11.8
 - 6: 锁螺丝 5.8*9.8

- 001: 绿色
- 003: 蓝色
- 005: 黑色

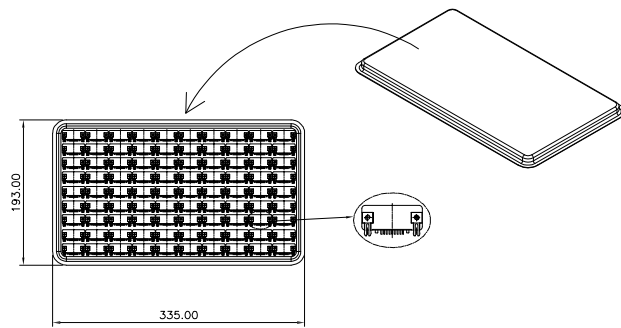


RECOMMENDED P.C.B LAYOUT (PCB THICKNESS: 1.6mm)
COMPONENT SIDE VIEW (TOLERANCE: ±0.05)

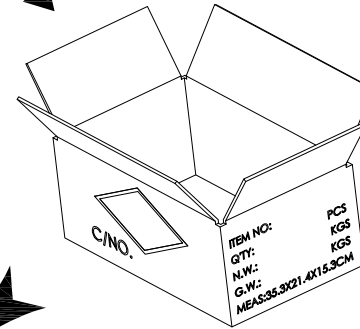
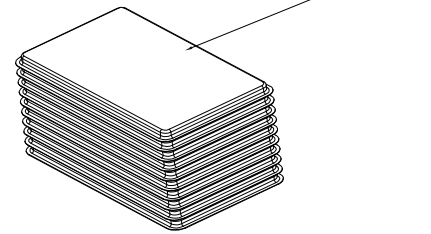


TOLERANCES UNLESS OTHERWISE SPECIFIED: X. --- X.X ± 0.38 X.XX ± 0.25 X.XXX ± 0.10 Angle ±1°	CUSTOMER COPY	深圳市东方御业科技有限公司 WWW.DFYCONN.COM TEL:0755-27155560		
	DRAWN: CHENLEI	2017/09/10	TITL: SLIM 9PIN公头沉板式单排PIN铆合式 (RoHS)	
THESE DRAWING AND SPECIFICATION ARE THE PROPERTY OF Shenzhen Dongfangyue ELECTRONIC CO., LTD. SHALL NOT BE REPRODUCED.	CHECKED: CHENLEI	2017/09/10	PART NO: EAST-SLIM090030-005	
	APPROVED: QINKAIXING	2017/09/10	UNIT: mm	SCALE: N/A SHEEL: 1:1 REV.

REV.	ECN NO.	MODIFY MATTER	DATE	APPROVED
A		RELEASE TO PRODUCTION		

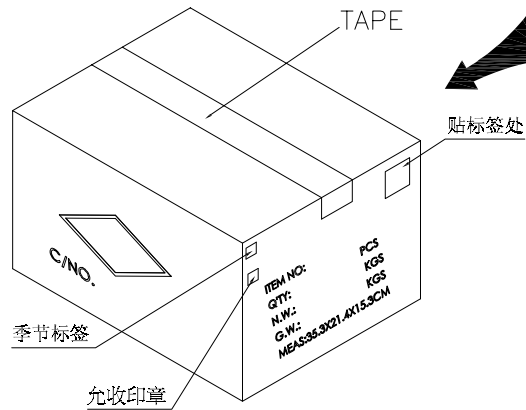
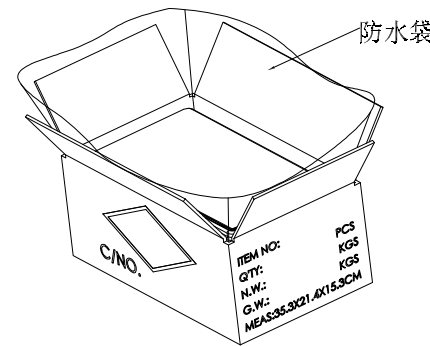


100 PCS/盒



要求:

1. 真空盒335*193*13.7, 不可有破损, 100PCS/盒。
2. 纸箱353*214*153, 材质: K=A, 不可有破损, 加装防水PE袋及干燥剂。
(10*100PCS/盒=1000PCS/箱)
3. 将装好产品的10个真空盒整齐叠放在一起, 共一叠1000PCS, 放入纸箱中, 用封箱胶纸封好纸箱。



TOLERANCES UNLESS OTHERWISE SPECIFIED: X. --- X.X ± 0.38 X.XX ± 0.25 X.XXX ± 0.20 Angle ± 3°		COSTUMER COPY		深圳市东方御业科技有限公司 Tel:0755-2715560 WWW.DFYCONN.COM	
DRAWN: Qinkx		2017/09/10		TITIAL: D-SUB 9PIN/15PIN包装图 (RoHS)	
CHECKED: Chenl		2017/09/10		PART NO:	
APPROVED: Chenl		2017/09/10		UNIT: mm	
THESE DRAWING AND SPECIFICATION ARE THE PROPERTY OF Shenzhen Dongfangyue ELECTRONIC CO., LTD. SHALL NOT BE REPRODUCED.		SCALE: N/A		SHEET: REV.	